

The ultimate electronic BINGO SOLUTION



Bingo & Slots

Generating a number of winning possibilities

Integrating applications is the next step in optimizing the player experience. The Harmony® slant top, equipped with Spielo's leading edge sensys™ platform, combines top performing video slot games with electronic bingo. Pick 'n Play™ Bingo & Slots maximizes gaming entertainment and integrates seamlessly with Video King's bingo system.

This integrated solution offers:



Full Screen Bingo
Ability to play full screen bingo games at any time



Split Screen Functionality
For simultaneous bingo game play with video slots



Full Screen Video Slots
Ability to play full screen video slot games when bingo is not active



Purchasing Made Easy
Purchases and refunds are made right at the terminal



Video King

SPIELO®

A GTECH® Company

Bingo Software - Key Features

- Split screen functionality for simultaneous bingo¹ and video slot game play
- Ability to play full screen video slot games when bingo is not active
- Ability to play full screen bingo games at any time
- Spielo's top poker, keno, and video slot games to satisfy new players
- Ability to purchase and refund electronic bingo cards from terminal - multiple product packs, multiple level games
- Ability to easily refresh video slots line up
- Auto "one number away from a win" notification
- Multiple card views - Best Card, Flashboard, All Cards
- Ability to purchase extra game product throughout the session
- Player ability to change bingo game background theme and daubers
- Bingo game cashout ticket capability allows the player to transfer to another terminal or temporary terminal lockout
- Spielo's new sensys platform
- Supports SAS 6.01 with connection to Player Tracking and Casino Management systems
- Requires link to Video King bingo server

Bingo Terminal - Key Features

- Stylish design compliments every venue and appeals to a wider demographic of players
- Vivid color depth and alpha blending allows sharper graphics
- 17" TFT screen supports brilliant graphics
- No escalator hopper required
- Available in various door colors and finishes
- State-of-the-art technology
- User friendly service menu
- Maximum machine uptime through easy service
- Allows for coinless and cashless operations
- Support of all latest systems protocols
- Support of ticket-in ticket-out systems
- Easy accessibility of card reader
- Low profile candle for unrestricted player view
- Ergonomic features:
 1. Screen view angle allows for longer playing experience
 2. Soft edged arm rests for optimum player comfort
 3. Arm and foot rest for relaxed player position

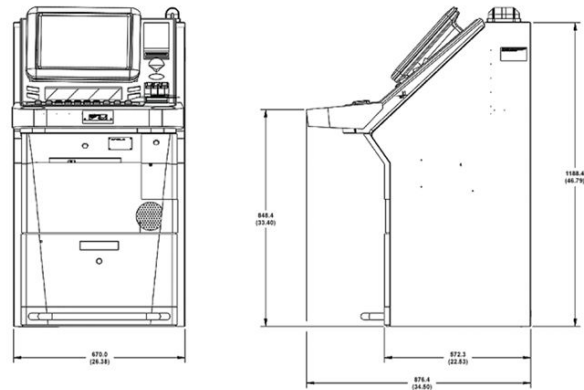
Component Options

By using proven industry standard components provided by the following suppliers, operators can depend on this terminal to provide them with the reliability and flexibility they require:

- **Bill Validator**
JCM
- **Thermal Printer (vertical)**
FutureLogic or Ithaca
- **Monitor**
Wells Gardner LCD
3M Touch Systems touch screen
- **Player Tracking**
Compatible with all major player tracking systems

Dimensions

Height	46.8" (118.8 cm)
Height of Armrest	33.4" (84.8 cm)
Width	26.4" (67.0 cm)
Depth (base)	22.5" (57.2 cm)
Depth (maximum)	34.5" (87.6 cm)
Power Consumption	120 VAC 60 Hz 1.07 AMPS



¹ Powered by the Video King bingo engine
Harmony[®] is a registered trademark of Atronic

Video King

Canada and International
1.800.561.GAME (4263) or 506.859.7598
casino.gaming@gtech.com

United States Casino Markets
1.800.864.7670 or 480.922.0707

www.gtech.com

SPIELO[®]
A GTECH[®] Company